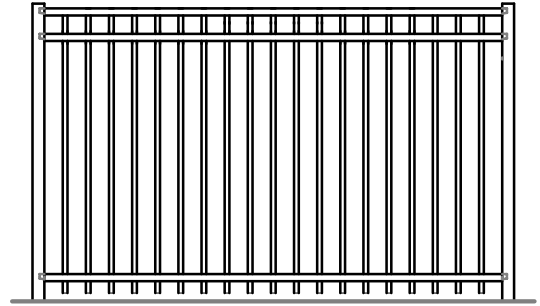


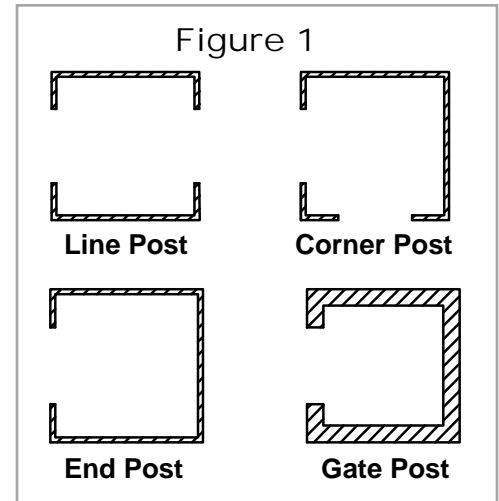
ALUMINUM FENCE SUPPLY

FENCE INSTALLATION GUIDE



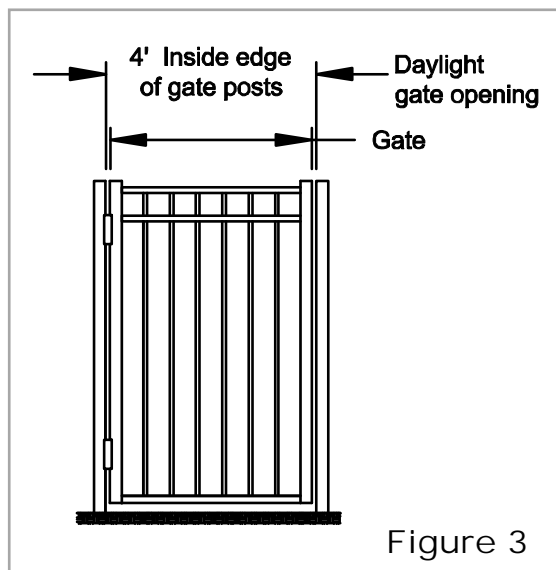
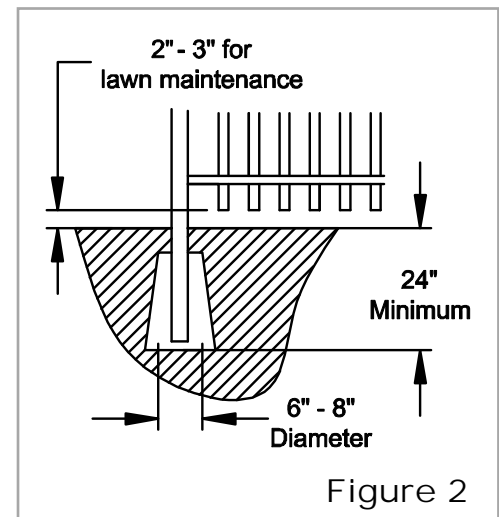
BEFORE YOU BEGIN

1. Area should be properly staked for fence location by homeowner or salesperson. Never assume where fence is to be installed.
2. Check to make sure underground utilities, pool lines and sprinkler systems have all been located.
3. Check all items on packing list (panels, posts, gates, caps, hinges, latches, paint and screws). If any part is missing, please contact your Aluminum Fence Supply distributor.
4. Identify and separate the four styles of posts: Line posts have holes routed on opposite sides, Corner posts have holes routed on adjacent sides, and End posts have holes routed on one side. Gate posts are routed like end posts, but the wall thickness is almost double to support the weight and use of the gate. (Figure 1)



INFORMATION

1. Fence should be installed 2" to 3" off the ground to allow gates to work properly and to allow for the maintenance of grass under the fence. (Figure 2)
2. Gates are built to fit openings, if packing list says 4' gate, it is a gate for a 4' opening. (Figure 3)
3. When setting gate posts, it is very important to get the opening exact and gate posts must be topped out bubble level in order for channels to line up with channels on the panels. After opening has been set properly, it is good to lay a post on top of both gate posts and set a level on top to ensure that posts are evenly topped out.



4. When digging holes to install Aluminum Fence Supply Fence, holes should be 6" to 8" in diameter and at least 24" deep. (Refer to Figure 2) In areas where freezing is a factor, fence posts need to be below the frost line. It is also a good practice to "bell out" the bottom of the hole to prevent posts from heaving.
5. Full panels should always be used; however, if a shorter panel is required, a panel may be custom cut to any size in order to accommodate the line. Using a Saw-Z-All or notching tool to make the cuts, notch the end of the channel to fit inside the post (using the factory notch as your guide).

INFORMATION (Continued)

6. Aluminum Fence Supply offers three grades of rackability for its panels. (Figure 4)

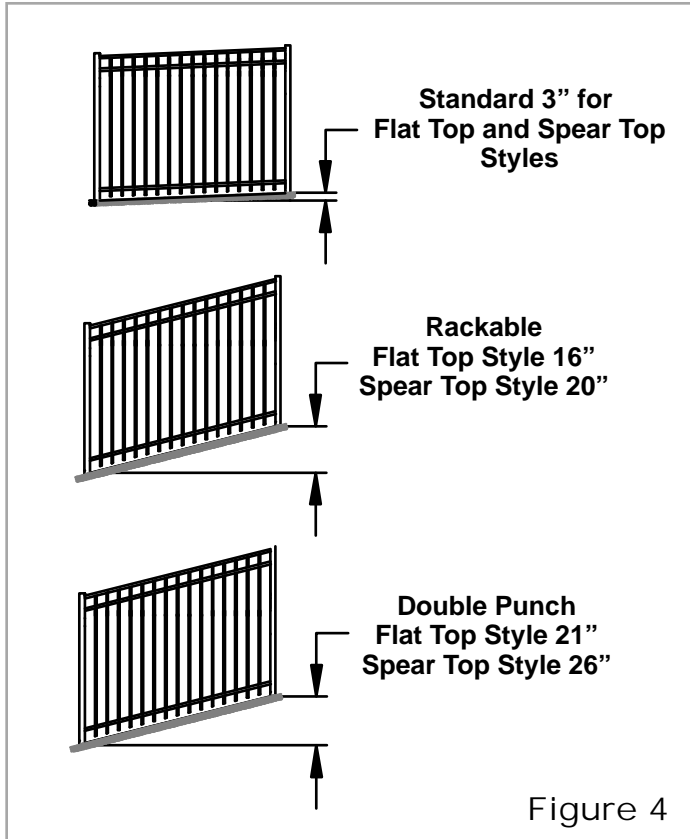


Figure 4

7. When inserting panels into a corner post, the channels on one panel need to be cut at an angle so that both panels fit all the way into the post. (Figure 5)

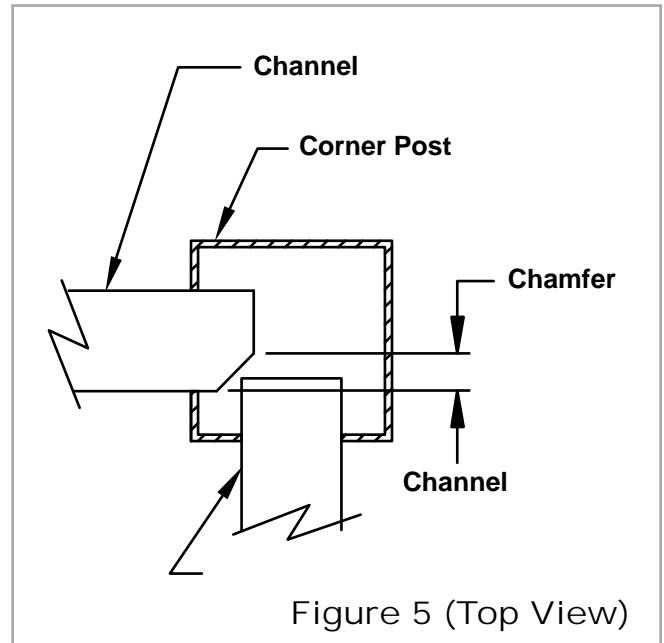


Figure 5 (Top View)

LAYOUT

1. Layout and install one line at a time. Start at a front corner or beside the house. Drive a stake at each end of the line and run a string line from stake to stake. This will ensure holes are marked in a straight line.
2. Mark holes every 73 3/8" with 2" posts on center – if there is a gate in the line add 2" to gate opening when marking – then resume the 73 3/8" with 2" posts panel spacing. Example: If you have a 48" gate opening, mark the holes for your gate posts 50" on center with 2" posts. (Figure 6)
3. Any sections that need to be custom cut should be at the back of the fence line or next to the house for the best look.

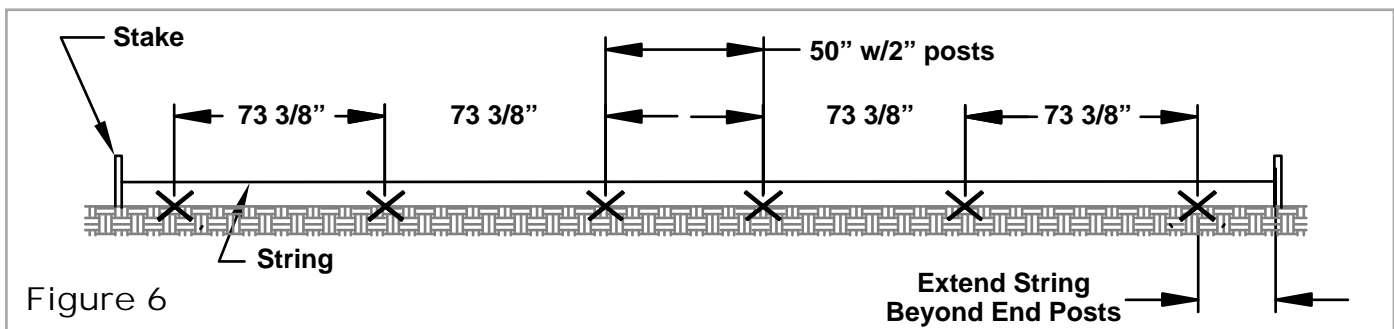
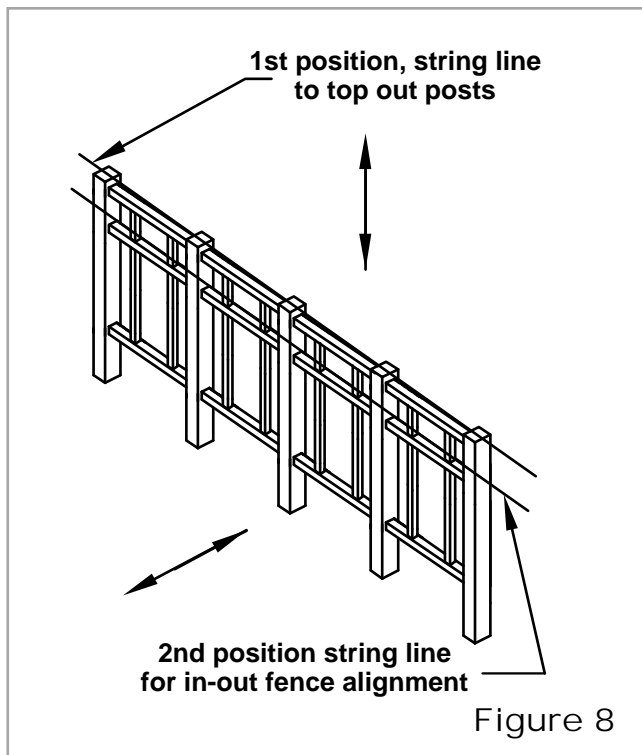
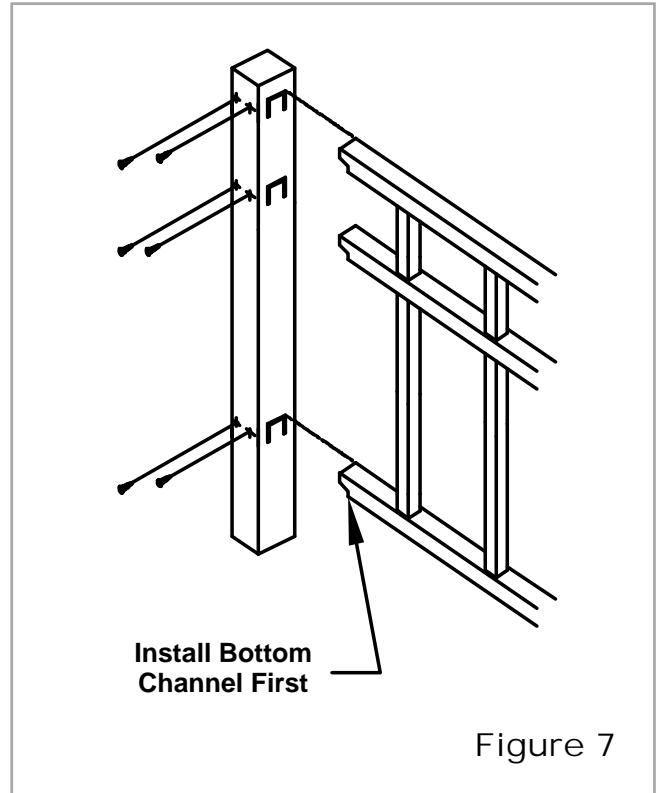


Figure 6

INSTALLATION

1. Now that the line has been laid, dig all of the holes that have been marked and place the posts in the holes. Set the first post in the center of the hole and pour the concrete. Level the post in each direction and readjust the string line so that all posts will be in the center of the holes throughout the entire line. Leave posts a little high for topping out purposes. It is easier to knock posts down than it is to float posts up.
2. Now that the first post is set, insert panel into the post - bottom channel first, then the top two channels. Make sure the screws are facing in, and that the notches are all the way against the post. Screw the panel into the post. (Figure 7) Go to the next hole and put panel into post, insert screws, level post up the string, and set this post. Repeat this procedure until the entire line is installed.
3. Once the line is set, re-level and top out the two end posts. Take the string down and move it to the top of these two posts. Raise and lower posts as necessary to give the fence line the best looking top possible. After line is topped out, put string to the outside of these posts near the top. Then walk the line and push all the posts over to the point where they are barely touching the string. (Figure 8)



4. Take the string down, step back and visually inspect the completed line for both in and out, and the topped out look.
5. Layout and install the next line just like the first line. Continue this process until the entire fence is installed.
6. After the fence is installed, topped out and leveled up, it's time to put on the caps. Place caps on posts and gently tap them on with a rubber mallet. Try not to knock posts down or out of level. While installing caps, look for scratches or nicks that need to be touched up with paint. Use only Aluminum Fence Supply paint so that it matches the powder coating on the product.
7. Once the touch-up work is complete, the gates should be installed.

NOTE: Gates should be installed last to allow posts as much time as possible to set up.

INSTALLATION (Continued)

- 8. Choose which side the gate is to be hinged, and which way the gate will swing (in or out). (Example)

Install hinges onto gate and set gate in the opening. Raise gate up until the channels line up, and attach hinges to post. Once hinges are attached, install latch on opposite side of hinges. Finally, adjust the tension in the hinges - just enough to self-close the gate, but not so much that it slams shut. (Figure 9)

